

Telescopic Crane 4004i

Technical Specifications

Material Handling Systems



Specifications	1-Manual	2-Manual	1-Hydraulic	1-Hydraulic/1-Manual
Crane Rating	18,000 ft-lb @ 8 ft (2.5 tm @ 2.4 m)	18,000 ft-lb @ 8 ft (2.5 tm @ 2.4 m)	18,000 ft-lb @ 8 ft (2.5 tm @ 2.4 m)	18,000 ft-lb @ 8 ft (2.5 tm @ 2.4 m)
Max. Horizontal Reach (from centerline of rotation)	12' (3.7 m)	16' (4.9 m)	12' (3.7 m)	16' (4.9 m)
Max. Vertical Reach	13' 5" (4.12 m)	17' 2" (5.24 m)	13' 5" (4.12 m)	17' 2" (5.24 m)
Max. Capacity	4000 lb (1815 kg)	4000 lb (1815 kg)	4000 lb (1815 kg)	4000 lb (1815 kg)
Max. Capacity at Max. Reach	1500 lb (681 kg)	1000 lb (454 kg)	1500 lb (681 kg)	1080 lb (490 kg)
Crane Weight	659 lb (299 kg)	721 lb (327 kg)	695 lb (315 kg)	750 lb (340 kg)
Crane Storage Height	32" (81.3 cm)	32" (81.3 cm)	32" (81.3 cm)	32" (81.3 cm)
Mounting Space Required	14" x 18" (35.5 cm x 45.7 cm)	14" x 18" (35.5 cm x 45.7 cm)	14" x 18" (35.5 cm x 45.7 cm)	14" x 18" (35.5 cm x 45.7 cm)
Min. Chassis Requirement	10,500 lb (4763 kg) GVWR	10,500 lb (4763 kg) GVWR	10,500 lb (4763 kg) GVWR	10,500 lb (4763 kg) GVWR
Tie-down Bolt Pattern	12" x 12" (30.5 cm x 30.5 cm) and 11.5" x 14.75" (29.2 cm x 37.5 cm)	12" x 12" (30.5 cm x 30.5 cm) and 11.5" x 14.75" (29.2 cm x 37.5 cm)	12" x 12" (30.5 cm x 30.5 cm) and 11.5" x 14.75" (29.2 cm x 37.5 cm)	12" x 12" (30.5 cm x 30.5 cm) and 11.5" x 14.75" (29.2 cm x 37.5 cm)
Boom Angle	-5° to +75° (-0.1 to 1.3 rad)	-5° to +75° (-0.1 to 1.3 rad)	-5° to +75° (-0.1 to 1.3 rad)	-5° to +75° (-0.1 to 1.3 rad)



An Oshkosh Corporation Company



Power Source

The crane is powered by a 12-volt battery. All power features are controlled with the hand-held remote control. Anti-two-block system is standard on all power extensions.

Cylinder Holding Valves

Safety valves on the lift cylinder and extension cylinder to prevent sudden cylinder collapse in the event of a hose failure.

Rotation System

The large diameter, self-locking, all-steel worm gear rotation mounted on slewing ring crane bearing provides 360-degree continuous power rotation.

Hydraulic System

Self-contained 12-volt hydraulic system supplies 1.6 gpm (6 L/min), powered by high-output extended on-time series wound motor.

Electrical System

The electronic control module is 100 percent solid-state circuit board with no relays, is equipped with arc-suppressing circuitry, and contains the entire signal routing logic as well as the overload protection system circuit. Arc-suppression circuits protect switches and contactors. All high-current contactors (winch motor and pump motor) are industrial grade with heavy bus bars for fast heat dissipation and high temperature contacts to prevent erosion and sticking.

Overload Protection

The automatic overload protection system prevents winch-up, boom extension, and boom-down to protect the operator and crane from overloads. Counterbalance/check valves are used on all cylinders for load control.

Winch

The planetary gear drive winch provides winch speed of 23 fpm (7 m/min) and uses less battery power to operate than worm gear winches. It is equipped with 75' (22.9 m) of 1/4" (6.35 mm) diameter 7 x 19 GAC wire rope. The permanent magnet motor provides immediate stopping both up and down for precise positioning of the load. The winch drum and wire rope pulleys meet ANSI standards for diameter.

Compatible IMT Dominator® Bodies

Dominator DSC20

Dominator DOM I

Dominator DOM II

Dominator DOM II Lo Pro

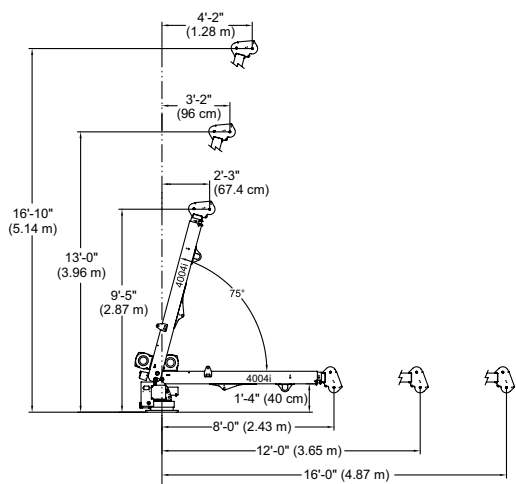
Control Options

- On/off tethered remote
- On/off radio remote
- Proportional radio remote

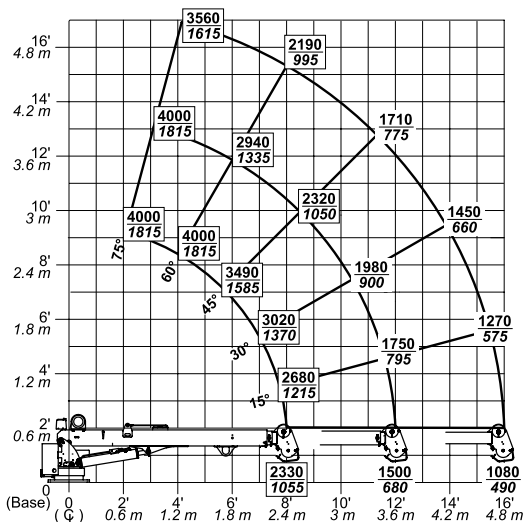
NOTES

1. The crane comes complete with 25' (7.6 m) power cable, 150- amp manual reset circuit breaker, 4' frame grounding cable, 25' (7.6 m) remote control pendant, and owner's manual.
2. 1000-CCA battery and 100-amp alternator recommended.
3. Outrigger recommended for most installations.
4. Cranes are shipped assembled and factory-tested.
5. 10,500 lb (4763 kg) minimum GVWR chassis recommended.

Geometric Configuration



Capacity Chart



- Maximum one-part line capacity is 2000 pounds (907 kg). For greater loads use two-part line (boxes denote two-part line).
- Weights of load-handling devices are part of the load lifted and must be deducted from the capacity.

Iowa Mold Tooling Co., Inc.

500 Highway 18 West • P.O. Box 189 • Garner, Iowa 50438-0189
800-247-5958 • 641-923-3711 • Fax: 641-923-6063 • www.imt.com

IMT reserves the right to make changes in engineering, design, and specifications; add improvements; or discontinue manufacturing at any time without notice or obligation.

IMT and the IMT LOGO are registered trademarks or trademarks of Iowa Mold Tooling Co., Inc., Garner, IA, USA.

© 2013 Iowa Mold Tooling Co., Inc. All Rights Reserved.