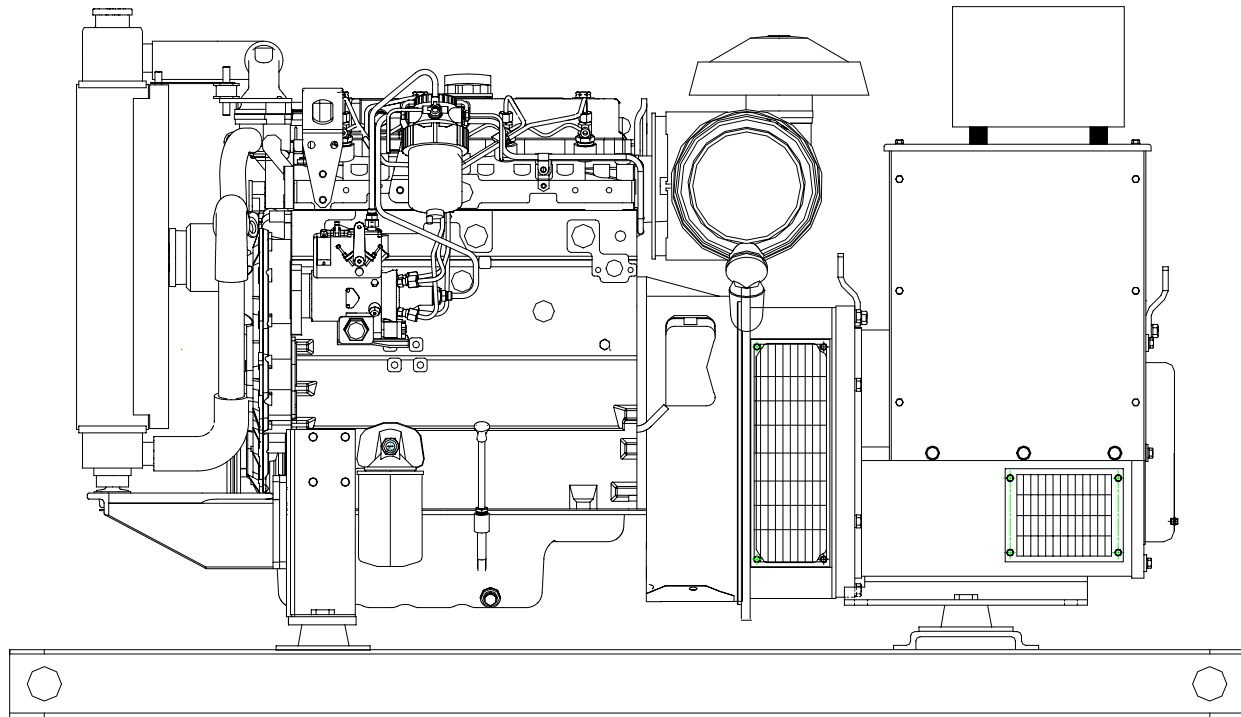


HANCO GENERATING SYSTEMS

PRIME SERIES



MODEL
55MSF33DWLP
50MSF22DWLP

POWER RATINGS

55KW STANDBY
50KW CONTINUOUS
120/240 VOLT 1 PHASE 60 Hz
208 AMPS @ 240V 1 PHASE
3 PHASE RATINGS AVAILABLE
12 LEAD RECONNECTABLE

STANDARD SPECIFICATIONS

PERKINS DIESEL ENGINE MODEL 1004-40T
HEAVY DUTY RADIATOR
MECHANICAL GOVERNOR
VIBRATION ISOLATORS
HEAVY DUTY 2 STAGE AIR CLEANER
BATTERY, BATTERY RACK AND CABLES
12V ELECTRICAL SYSTEM
INDUSTRIAL GRADE SILENCER
ALTERNATOR EPOXY COATED
SOLID STATE VOLTAGE REGULATOR

HANCO CONTROL PANEL

12V ENGINE GAUGES
HOUR METER, TEMP GAUGE, OIL PRESSURE
A/C METERS, AMPS, VOLTS, HERTZ
HIGH COOLANT TEMP SHUTDOWN
LOW OIL PRESSURE SHUTDOWN
CRANK/PRE HEAT START/STOP SWITCH

OPTIONAL EQUIPMENT

AUTO START CONTROLS
UL SUBBASE FUEL TANKS
MAINLINE CIRCUIT BREAKER
LOW AMP AUTO START FOR SOLAR

