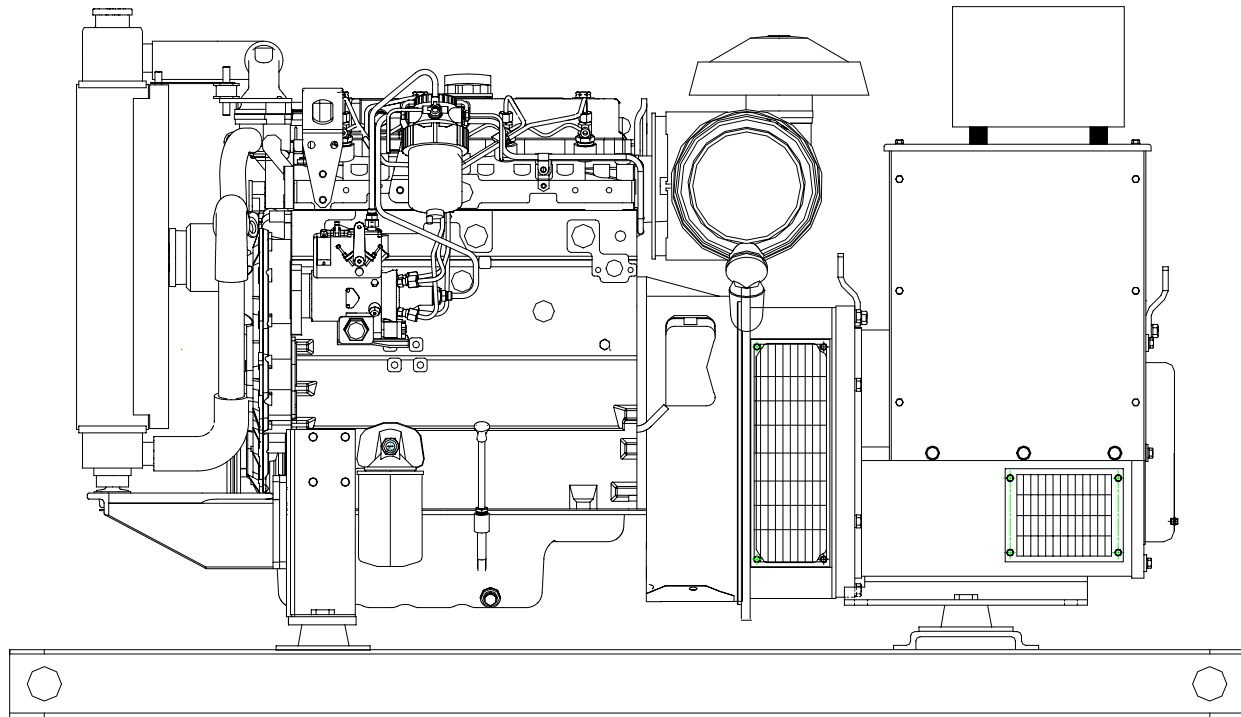


HANCO GENERATING SYSTEMS

PRIME SERIES



MODEL
45MSF33DWLP
40MSF22DWLP

POWER RATINGS

45KW STANDBY
40KW CONTINUOUS
120/240 VOLT 1 PHASE 60 Hz
166.6 AMPS @ 240V 1 PHASE
3 PHASE RATINGS AVAILABLE
12 LEAD RECONNECTABLE

STANDARD SPECIFICATIONS

PERKINS DIESEL ENGINE MODEL 1004-40
HEAVY DUTY RADIATOR
MECHANICAL GOVERNOR
VIBRATION ISOLATORS
HEAVY DUTY 2 STAGE AIR CLEANER
BATTERY, BATTERY RACK AND CABLES
12V ELECTRICAL SYSTEM
INDUSTRIAL GRADE SILENCER
ALTERNATOR EPOXY COATED
SOLID STATE VOLTAGE REGULATOR

HANCO CONTROL PANEL

12V ENGINE GAUGES
HOUR METER, TEMP GAUGE, OIL PRESSURE
A/C METERS, AMPS, VOLTS, HERTZ
HIGH COOLANT TEMP SHUTDOWN
LOW OIL PRESSURE SHUTDOWN
CRANK/PRE HEAT START/STOP SWITCH

OPTIONAL EQUIPMENT

AUTO START CONTROLS
UL SUBBASE FUEL TANKS
MAINLINE CIRCUIT BREAKER
LOW AMP AUTO START FOR SOLAR

Model

45MSF33DWLP / 40MSF22DWLP

Engine Specifications

Engine Model	Perkins 1004-40
Cont. HP @ 1800 RPM	66 HP
Number of Cylinders	4
Aspiration	Natural
Displacement	243 cu in (3.99) litre
Bore / Stroke	3.937 (100) / 5.0 (127)
Engine Type	In-Line 4 Cylinder
Forged Steel Dynamically Balanced Crankshaft	
Rotary Injection Pump With Mechanical Gover-	

Shipping Characteristics of Basic Unit

Weight - 1670 lbs (no options)
 Cube - L= 80" W= 34" H= 48" (no options)

Specification subject to change without notice

Generator Specifications

Model	UCI224D
Rating @ Rise / Ambient	125F / 40 C
Insulation	Class H
Voltage Regulator	SX 460
Winding Leads	12 Lead Reconnectable
Voltage Regulation	Plus / Minus 1.5%

Fuel Consumption @ Rated Load

50%	1.5 US GAL / HR
75%	2.1 US GAL / HR
100%	2.8 US GAL / HR

Optional Equipment

- | | |
|---------------------------|-------------------------|
| 2Wire auto start | Low amp start for Solar |
| Main Line Circuit Breaker | UL Subbase Tank |
| Electronic Governing | Weather Enclosure |
| Critical Grade Silencer | Auto Transfer Switch |
| SS Flex Connector | Sound Enclosure |
| Battery Trickle Charger | Trailer w/Fuel Cell |

